

# Disney Princesses Castle

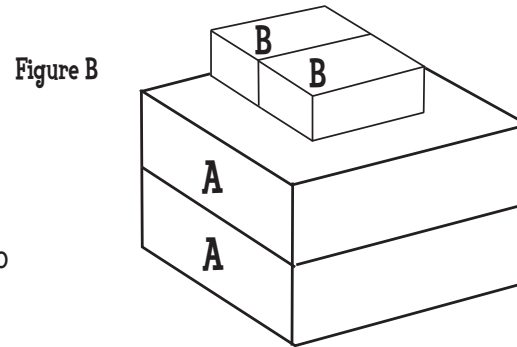
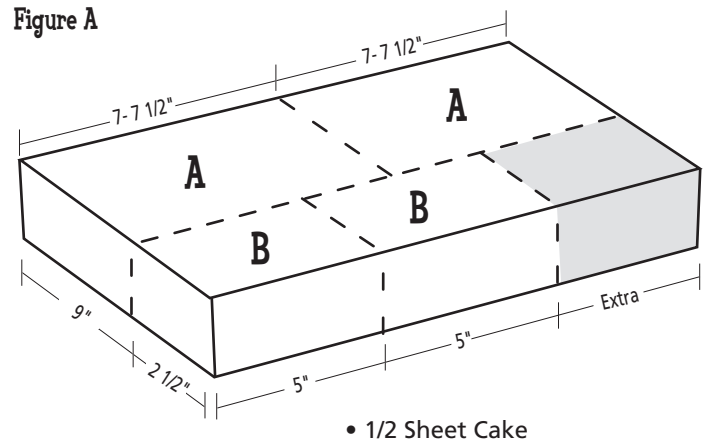
## Signature Cake Assembly Instructions

For building the Disney Princess Castle Signature Cake (see Disney Princess Castle Signature Decorating Card #4392 for reference), you will need:

- 1 - 1/2" sheet cake layers

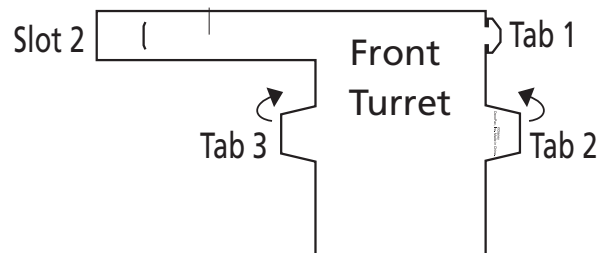
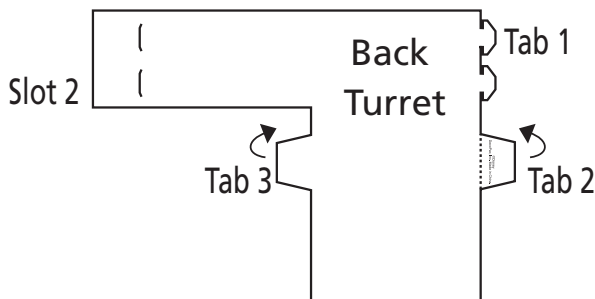
### Cake Assembly Instructions (in detail):

- Cut pieces to the dimensions shown (Figure A). The measurements are approximate for cutting the 1/2 sheet cake into pieces. Every cake will vary slightly. Pre-assemble cake layers. Stack one (A) layer on top of the other and the (B) sections side by side on top of (A) as shown. (Figure B)
- Decorate cake as described on Decorating Card.



### Turret Assembly Instructions:

- Bend top of turret plac to fit Tab 1 into Slot 2 forming a circle. Bending Tab 2 and 3 backwards, curve and insert into cake corners. Insert plastic base around bottom of turret and into cake. The taller turrets should be placed on the back corners of the cake, shorter turrets in front.
- Decorate cake as described on Decorating Card.
- Put top of turrets in place last.



**DECOPAC**

*On Top of the World's Best Selling Cakes®*