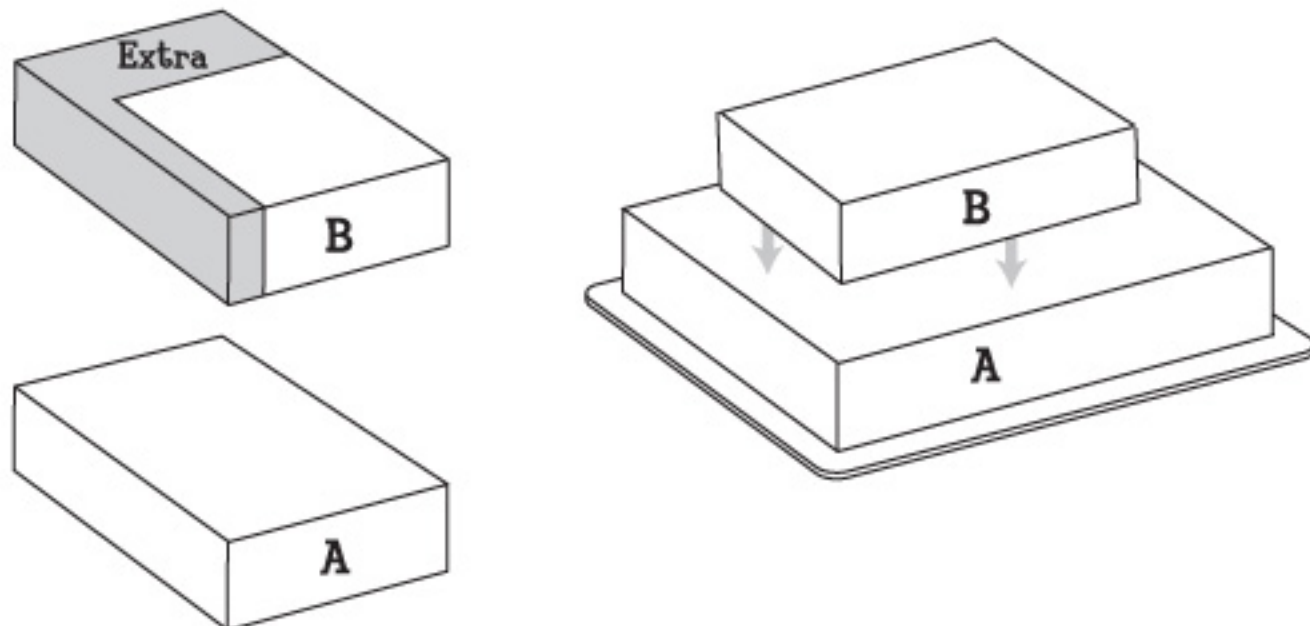


NFL Stadium

Signature Cake Assembly and Step by Step Decorating Instructions

To build the NFL Stadium Signature Cake you will need:

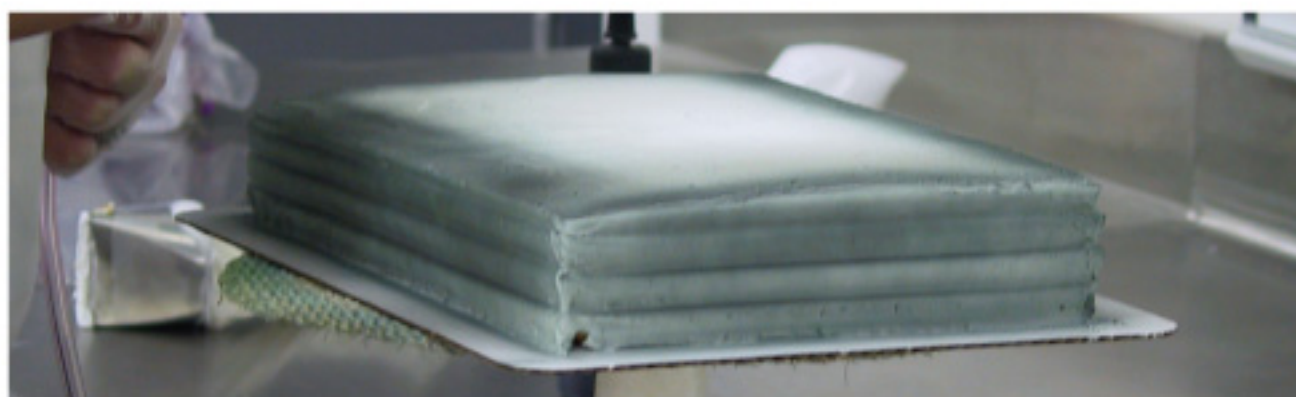
- 2 - ¼ Sheet Cake Layers
- 1 - Quarter Sheet cake board or drum



1. Cut one ¼ sheet layer to 6" x 9¼" (B). Dry fit DecoSet® pieces around this layer to be sure of fit.



2. Base ice both cake layers separately and comb sides with plastic comb.



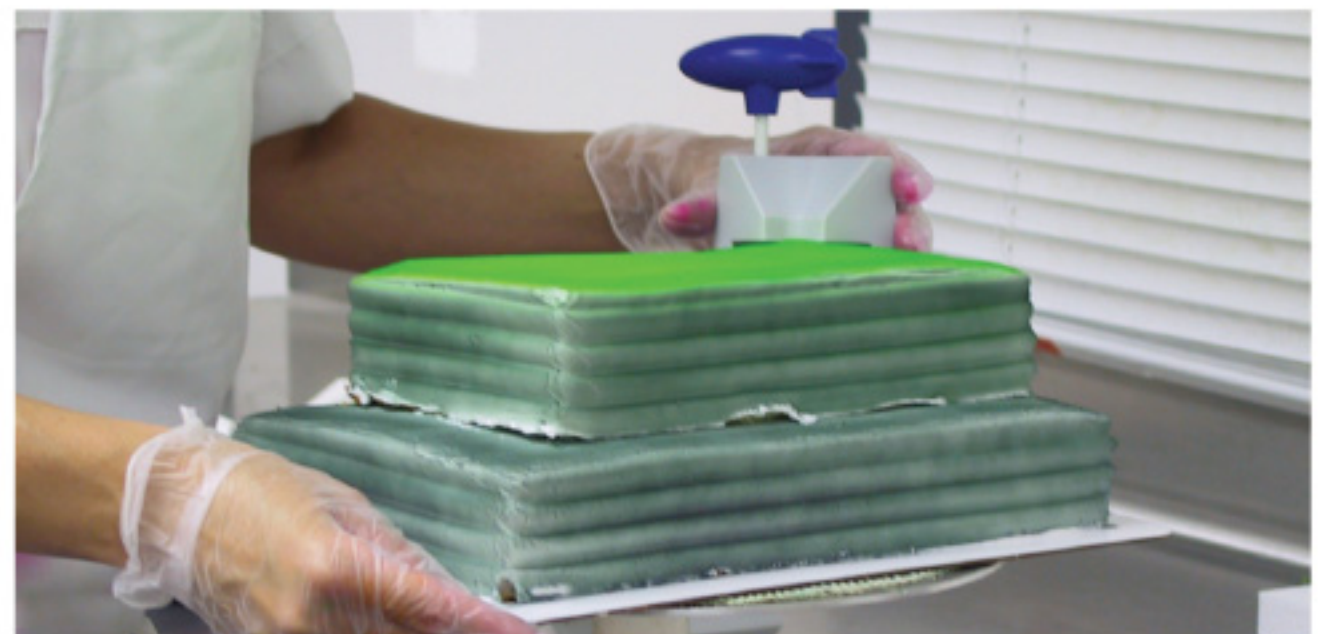
3. Airbrush entire ¼ sheet (A) and sides of cut layer (B) gray using Black #9610.



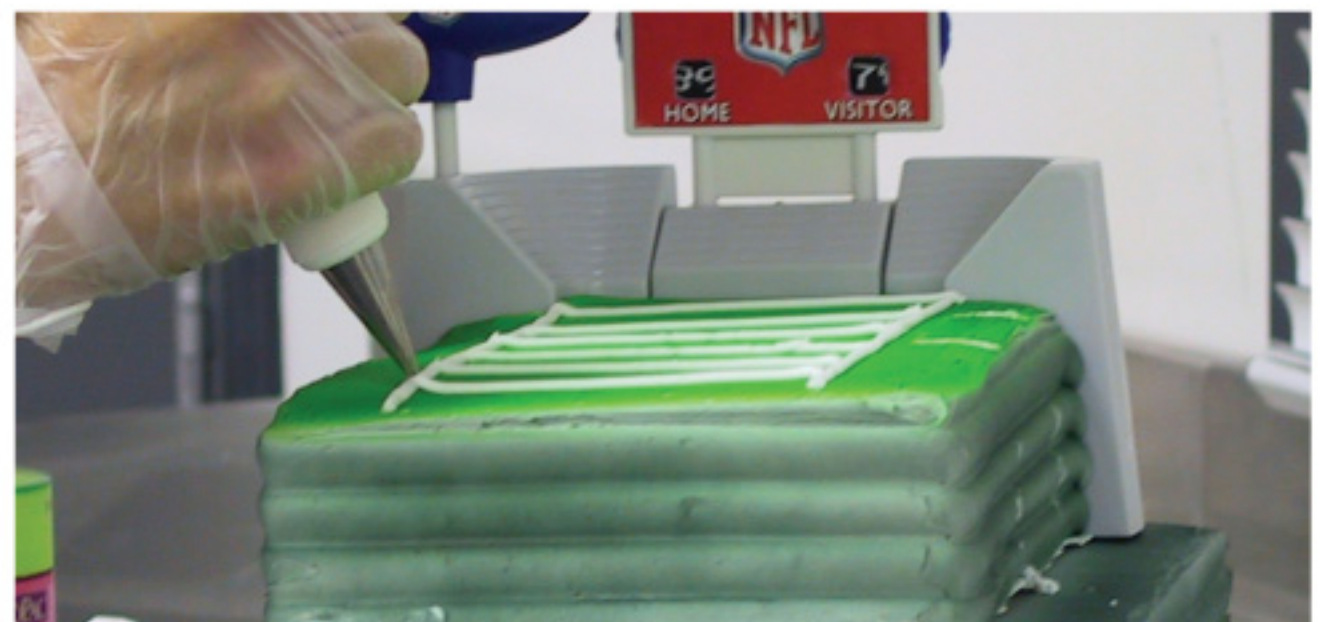
4. Airbrush top of cut layer (B) Spring Green #9614 and Neon Green #9654.



5. Stack cakes as shown. Line up top layer xx" from back edge of bottom layer to leave room for stadium pieces.



6. Place stadium wall on one end of top layer starting with the corner.



7. Using tip #4, pipe seven white field lines.
8. Using tip #1, pipe field numbers.
9. Place side stadium DecoSet® pieces.

DECOPAC

On Top of the World's Best Selling Cakes.

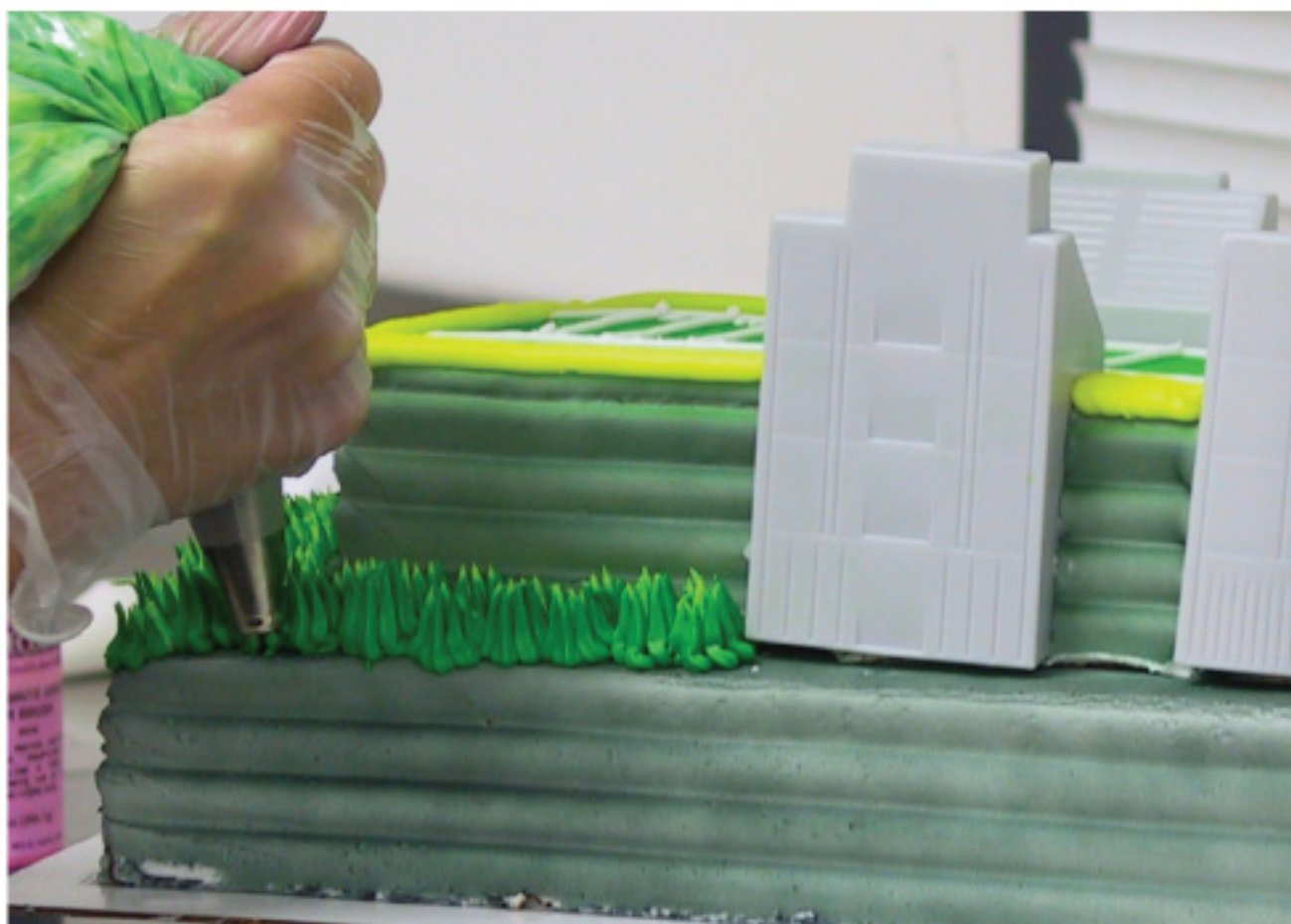
**LEARNING
CENTER**

NFL Stadium

Signature Cake Assembly and Step by Step Decorating Instructions



10. Using tip #8, pipe Lemon Yellow #9505 border on top layer.



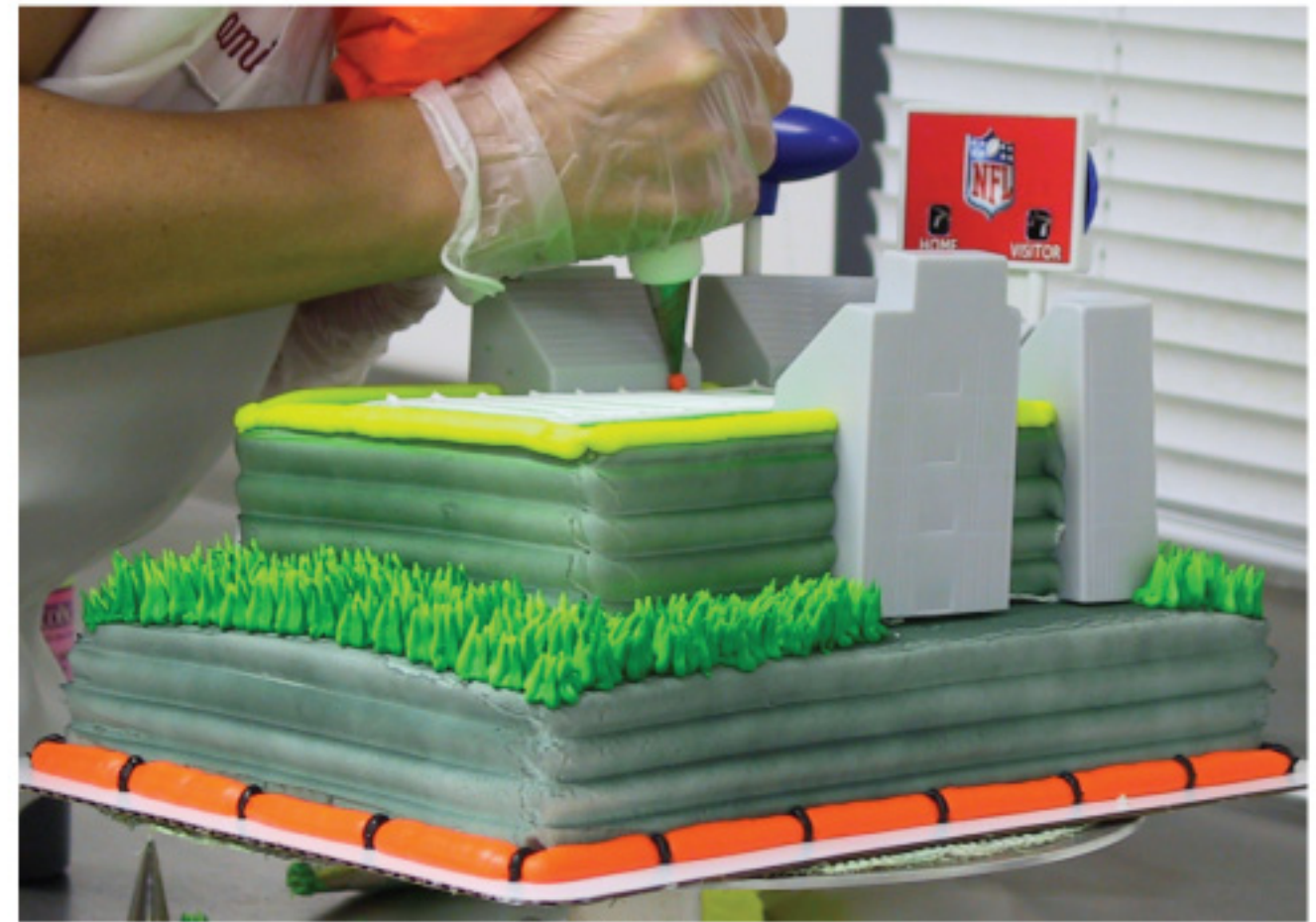
11. Using tip #234, pipe Leaf Green #9516 and Neon Green #9640 grass as shown.



12. Using tip #10, pipe Neon Orange #9643 bottom border.



13. Using tip #4, pipe Black #9501 accents on bottom border.



14. Using tip #5, pipe Neon Orange #9643 pylons.

15. Pipe inscription upon customer's request

16. Place warning sticker on outside of box.



NFL Stadium DecoSet®
#11441 - 1 Set
#30688 - 3 Sets

Tips and Recommendations:

- Use dowel rods to support the cake.
- Use cake drum as base for cake.