

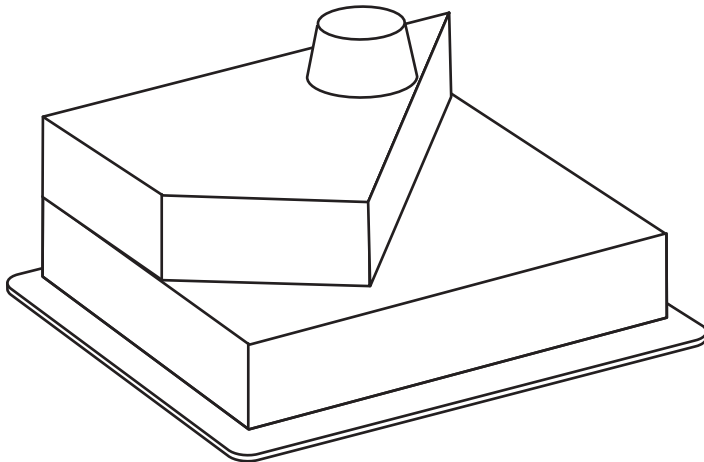
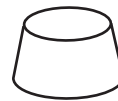
Dragon Adventure

Signature Cake Cutting Instructions

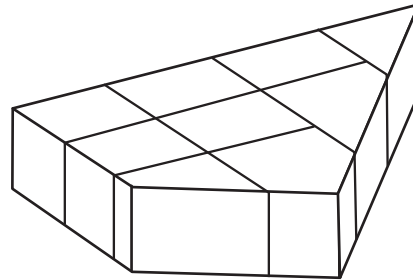
Cutting Directions Serves 26:

1. Serve cupcake - 1 piece.
2. Start cutting the top cake layer lengthwise in half then widthwise into four equal slices.
Serve - 8 pieces.
3. The final step is to cut the base (1/4 sheet) both lengthwise and width wise into four equal slices.
Serve - 16 pieces.

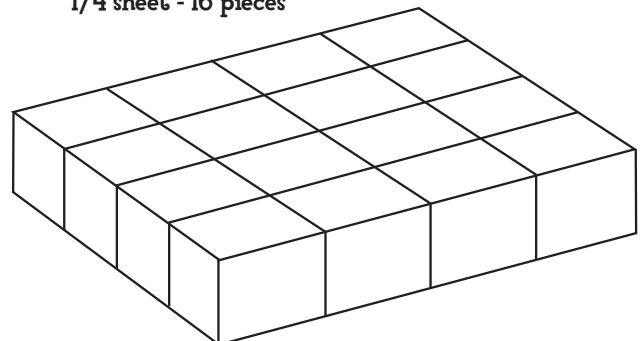
Cupcake - 1 piece



Trimmed 1/4 sheet - 9 pieces



1/4 sheet - 16 pieces



DECOPAC

On Top of the World's Best Selling Cakes®

©2011 DecoPac, Inc.

Dragon Adventure

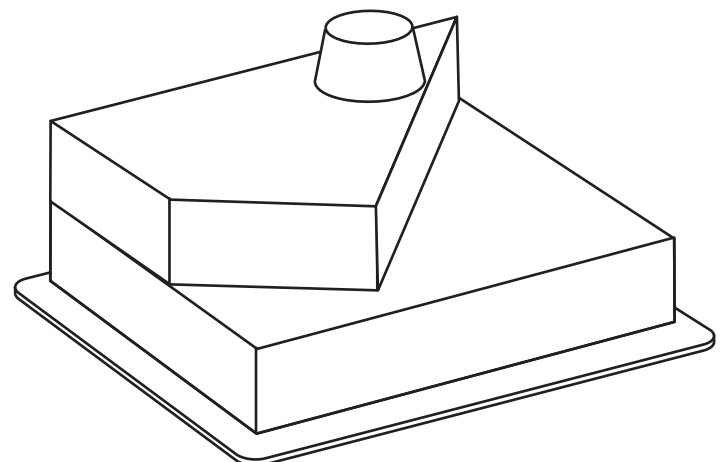
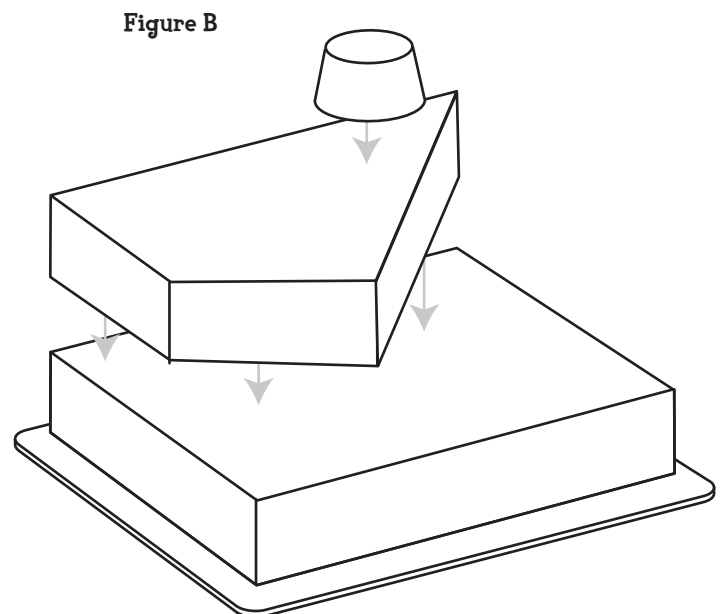
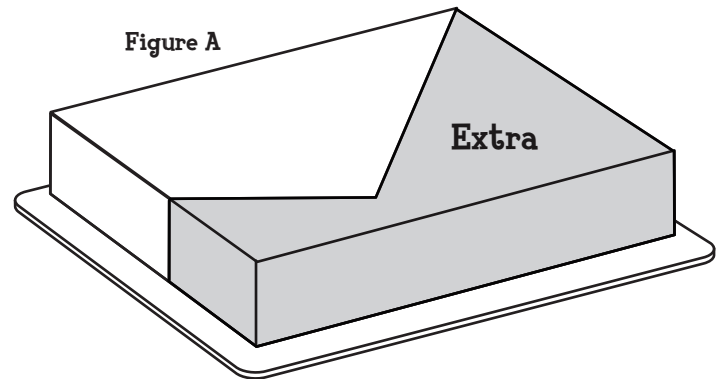
Signature Cake Assembly Instructions

For building the NASCAR® Loud & Proud Signature Cake you will need:

- 1 cupcake
- 2 - 1/4 Sheet Cake Layers
- 1 - 1/4 Sheet Cake Board

Assembly Directions (in detail):

- Cut one 1/4 sheet layer as shown (Figure A).
- Stack pieces as shown.
- Base ice and decorate.



DECOPAC

Top of the World's Best Selling Cakes®